

BR70



Indoor Unit - Duct Mounted or Thru-the-Wall



Specifications

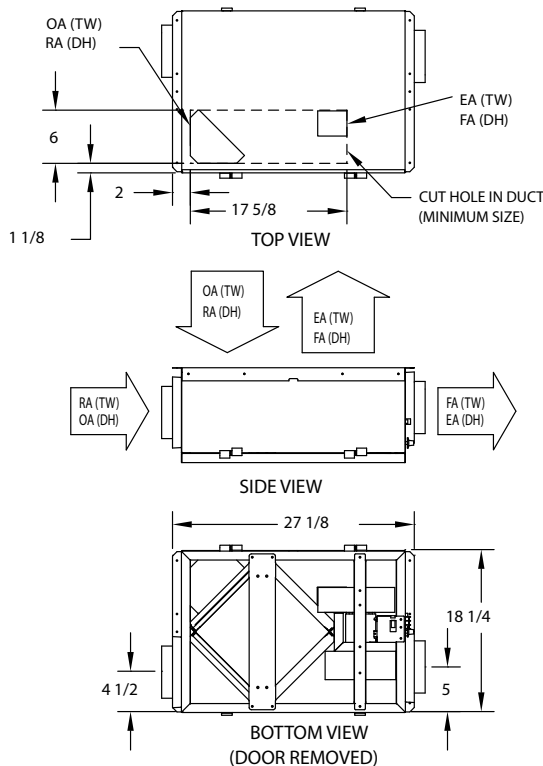
Ventilation Type: Static Plate, Heat and Humidity Transfer				
Typical Airflow Range: 40-70 CFM				
Unit may be mounted in any orientation				
Number Motors: One double-shaft motor				
V	HZ	Phase	Input Watts	FLA
120	60	Single	94 @ 69 CFM	1.0
Control: Built in proportional runtime control and switched terminals for furnace/AC interconnect				
Filters: MERV 8, spun polyester media. 7-1/2" x 10-1/2" x 1"				
Weight: 39 lbs (unit), 50 lbs (in carton)				
Shipping Dimensions: 29" L x 21-1/2" W x 14-1/2" H (in carton)				
Accessories: Thru-the-Wall Kit Wall Caps Back Draft Dampers				

G5 Performance

Airflow CFM	ESP in H ₂ O	Temp EFF%	Total EFF% Winter/Summer*
46	0.40	80	75/62
59	0.30	77	72/58
73	0.20	75	69/54
86	0.10	72	66/51

* (See HVI certification report on page 11 for complete certified rating).

Dimensions



EA: Exhaust Air to outdoors
 OA: Outdoor Air intake
 RA: Room Air to be exhausted
 FA: Fresh Air to inside
 TW: Thru Wall
 DH: Duct Hung

